

High IPLV and SEER design
Screw compressor dedicated to R134a

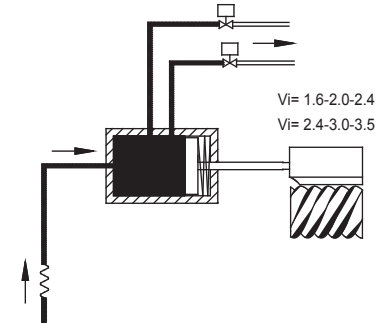
Variable Frequency Drive RC2-AVI Series Screw Compressor



Highlights of RC2-AVI Series Screw Compressor

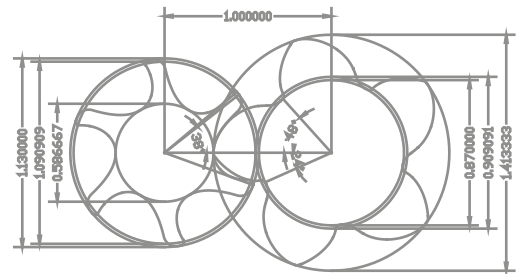
Automatic Vi Control

- Optimal internal compression ratio without loss of work
- 2 options of Vi design (1.6-2.0-2.4 or 2.4-3.0-3.5) for different applications



Higher Part-load Efficiency

- Higher part-load efficiency is achieved by innovative VFD technology
- Eco-friendly for carbon footprint reduction
- Shorter payback period



Flexible Capacity Control (20-70Hz Air-Cooled or 20-80 Hz Water-Cooled)

- Higher range of capacity control
- More precise in chilled water temperature control

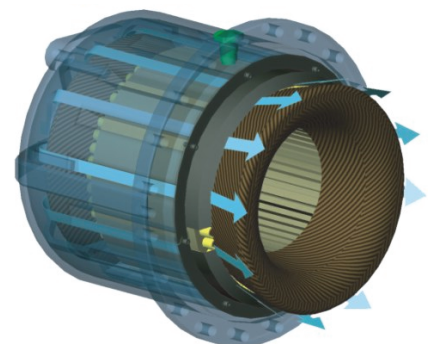
State-of-the-art Screw Rotor Profile

- 5-to-6 rotor profile patented in Taiwan, US, UK, Japan and China
- Designed according to characteristics of refrigerants
- Hyper volume efficiency and minimum clearance



High Efficiency Motors

- Special design for VFD operation
- Effective cooling process and self-protection devices
- Reinforced motor insulation dedicated to wide range of frequency spectrum
- Sliding-fit structure easier for installation and maintenance

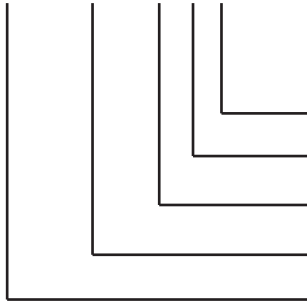


Less Electronic and Mechanical Load

- No starting current issue
- Reduce mechanical shock during starting

Nomenclature

RC2-XXX A V I

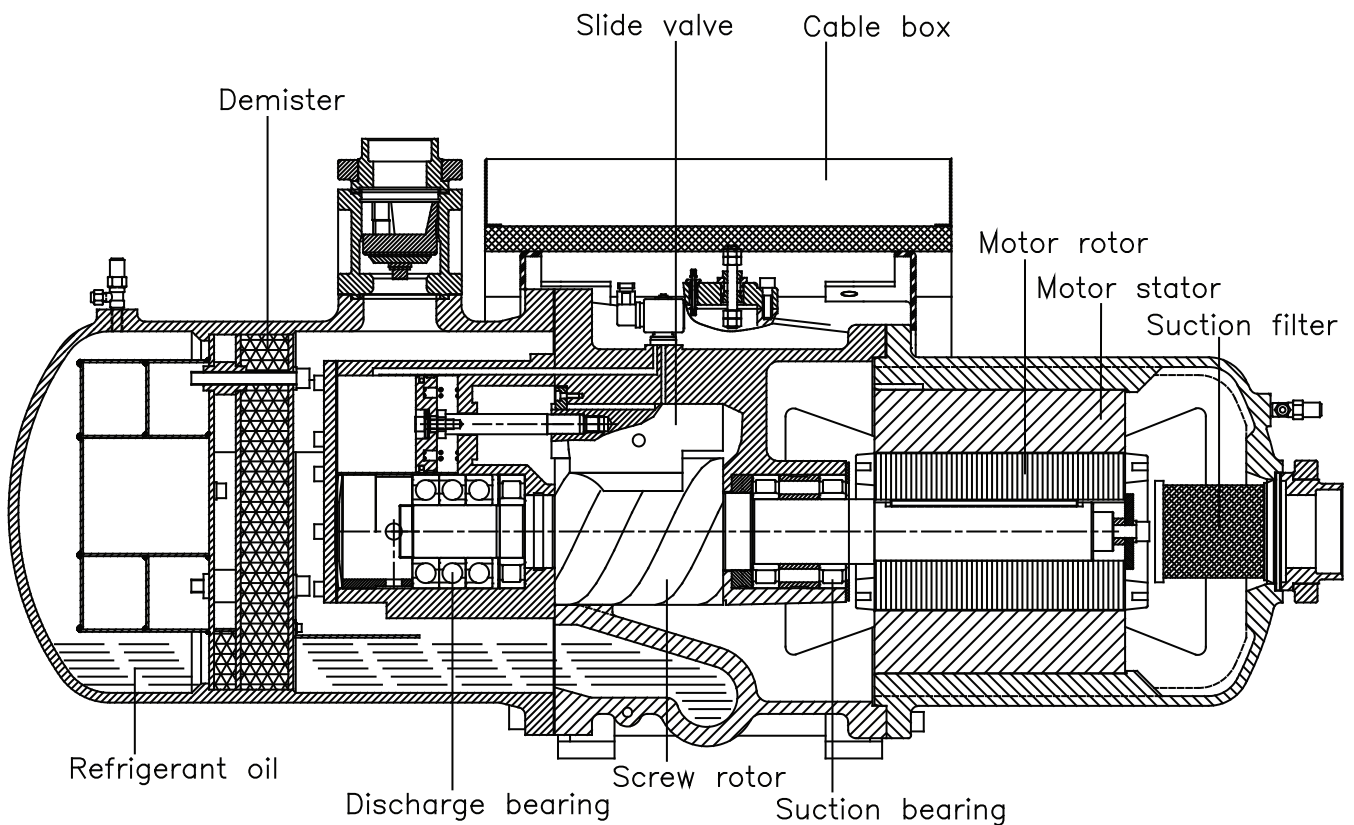


- Variable Vi
- VFD Application
- Motor Code
- Displacement at 50Hz (m³/hr)
- RC model 2nd Version

Technical Data

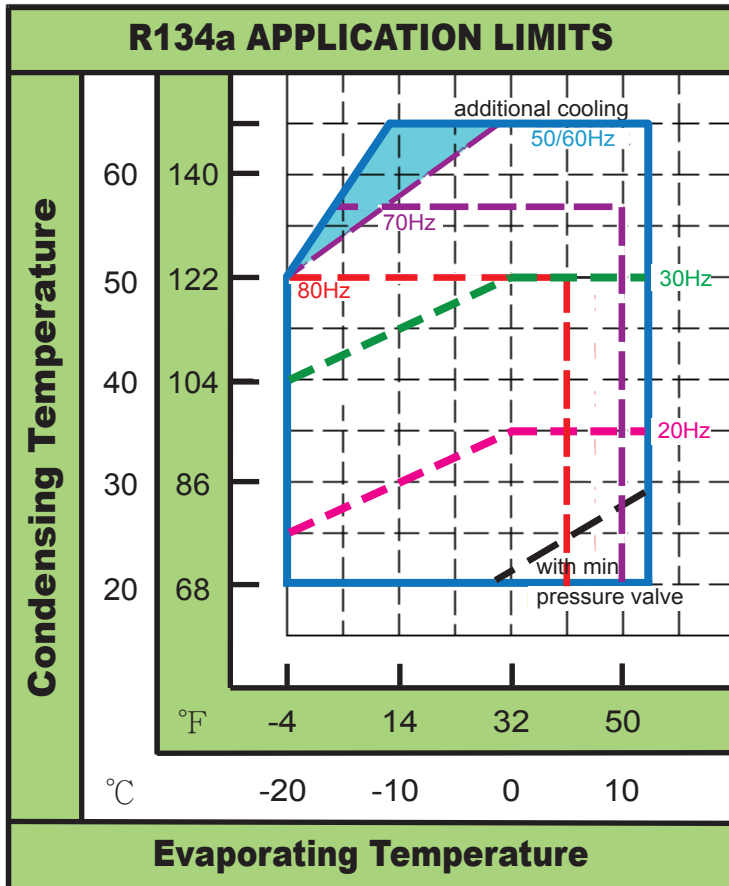
Model	Compressor			Motor						Lubricant Charge L	Oil Heater W	Hydrostatic Pressure Test kg/cm ² g	Weight kg
	Displacement 70Hz/80Hz (m ³ /hr)	Rated Speed (rpm)	Vi	Type	Nominal Hp	Starting	Voltage	Insulation	Protection				
RC2-140AVI	189/219	1150~4750 (20~80Hz)	1.6 2.0 2.4 or 2.6 3.0 3.5	3 Phase, 2 Pole, Variable Speed, Induction Motor	42	Inverter starting	380~460/ 220	Class F	PTC	7	150/ 300	42	295
RC2-260AVI	356/411				78					14			575
RC2-300AVI	410/469				90					16			620
RC2-340AVI	475/542				102					16			630
RC2-410AVI	567/651				125					16			760
RC2-470AVI	660/754				144					18			830
RC2-550AVI	769/878				168					23			850
RC2-620AVI	867/990				182					23			880
RC2-830AVI	1159/1324				243					28			1180
RC2-1020AVI	1428(70Hz)				265					40			1530
RC2-1270AVI	1775(70Hz)	333	53	2130									

Construction

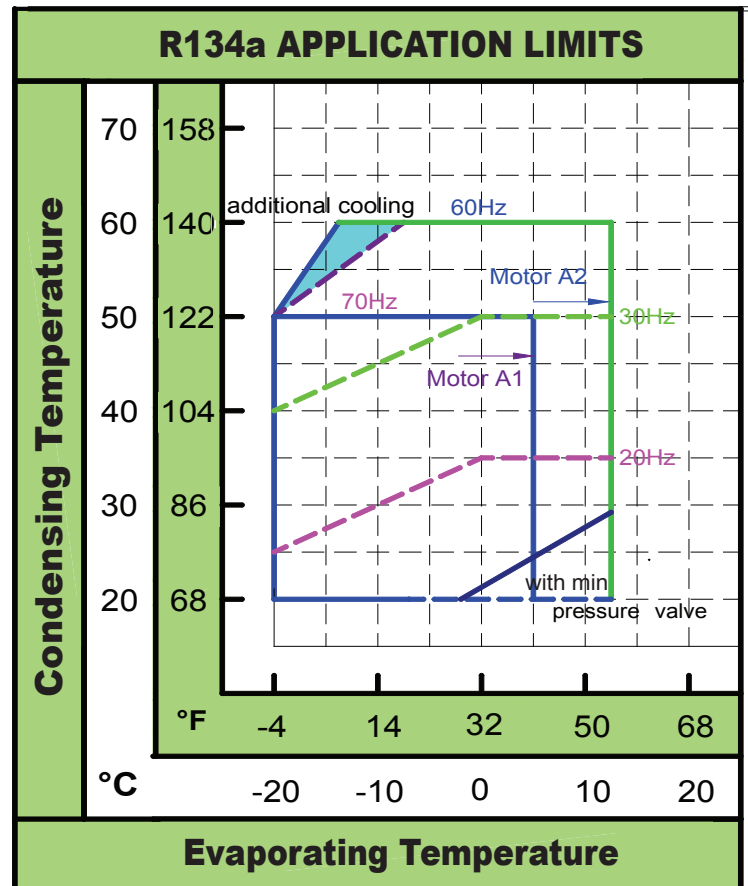


Application Limits

RC2-140-830AVI



RC2-1020/1270AVI



PT. Gemilang Reksa Buana

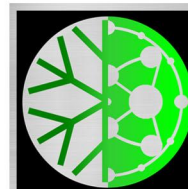
Mechanical, Electrical & Heat Transfer Engineering

Ruko PTM III No. 35 Metland Transyogi Cileungsi - Bogor

Phone: +62 82 111 372 716

Email: support@gemilangreksabuana.com

www.gemilangreksabuana.com



**winter
tech**

www.gemilangreksabuana.com



HANBELL

HANBELL PRECISE MACHINERY CO.,LTD.